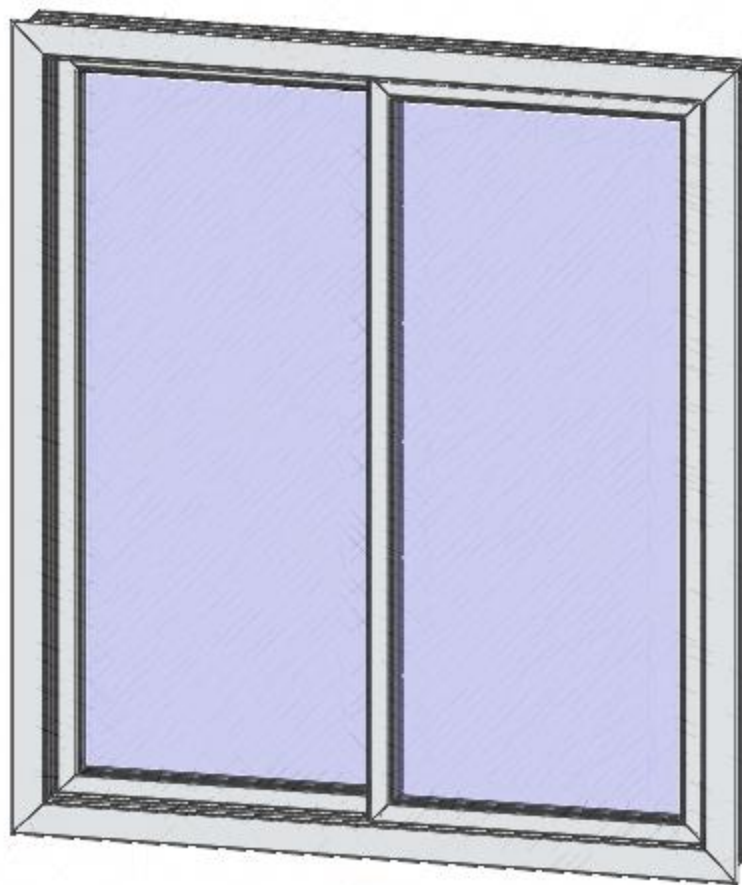


150B 移窗产品安装手册

Installation Manual of Sliding Window



文件编号: **ADN/QD 224-2018**

Document No.: **ADN/QD 224-2018**

目 录

TABLE OF CONTENTS

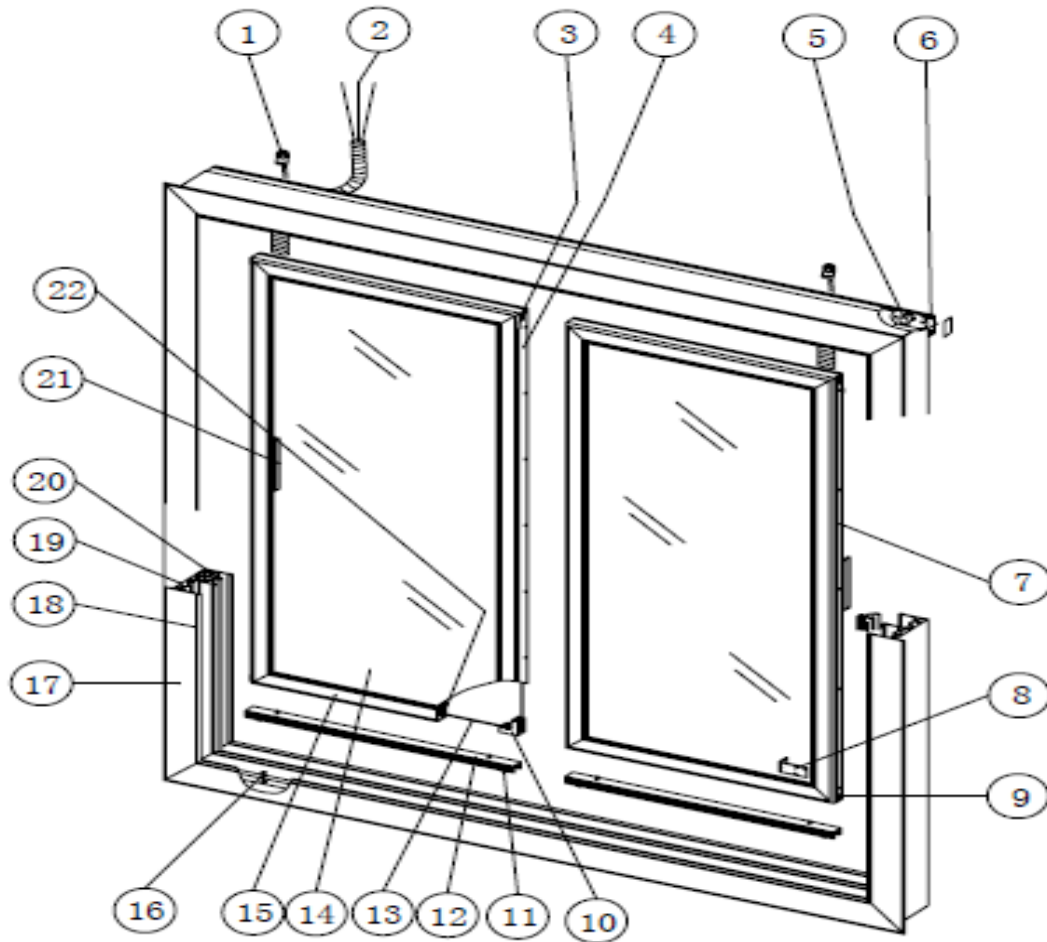
1. 150B 型移窗和框维修安装的初步考虑	
Preliminary consideration for Model150B Sliding Window & frame servicing procedure.....	3
2. 框的安装	
Frame Installation.....	4
3. 窗的安装	
Window Installation.....	7
4. 窗的拆除	
Window Removal	9
5. 窗塑料罩的更换	
Window Plastic (Cover) Replacement	10
6. 窗把手的更换	
Window Handle Replacement	11
7. 150B 截面结构和尺寸	
Model 150B Cross-Section Construction & Dimensions.	11
8. 滚轮支架的更换	
Roller Cage Replacement	11
9. 窗加热线更换或窗插头更换	
Window Heater Replacement and/or Window Plug Replacement.....	12
10. 框加热线更换	
Frame Heater Replacement	13
11. 框密封条更换	
Frame Gasket Replacement.....	13
12. 框插座更换	
Frame Female Plug Replacement	14
13. 问题解决	
Troubleshooting	14
14. 安全注意事项	
Safety Precautions	15
15. 小贴士	
Tips	16

1. 150B 型移窗和框维护安装程序的初步考虑

Preliminary consideration for 150B Sliding Window and frame servicing procedure

1.1 移窗和框的布局

Sliding Window and Frame placement



Description 描述			
1. Plug 插头	7. Metal strip 金属条	13. Window heater 窗加热	19. Frame Plastic 框塑料
2. Leading wire 引线	8. Bumper 保险块	14. Glass 玻璃	20. Gasket 密封条
3. Slot 卡槽	9. End Cap 端盖	15. Window 窗	21. Handle 把手
4. Flap 密封条	10. Corner Piece 角件	16. Installation Screw 安装螺钉	22. Window Plastic 窗塑料
5. Socket 插座	11. Roller 滚轮	17. Frame 框	
6. Cable tray 线槽	12. Roller Cage 滚轮架	18. Plastic Runner 塑料轨道	

1.1 适当的安全防护包括

Proper safety equipment includes:



Safety Glasses

护目镜



Work Gloves

劳保手套



Work Shoes

劳保鞋



注意：在开始对窗或任何其他电气设备进行操作前，请关闭所有电源。

在工作时要格外小心玻璃窗的包装。

NOTE: Turn off all electrical power prior to beginning work on the Window or on any electrical equipment. Use extra caution when working with or around the Window glass package.

1.2 工具 Tools

- 本程序需要的工具包括：

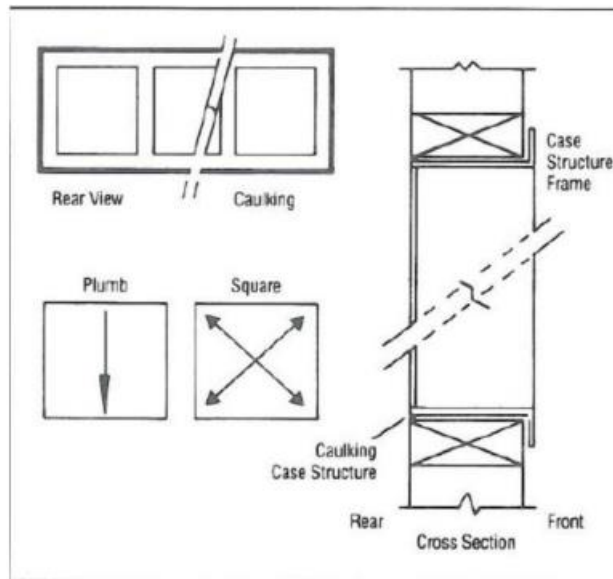
Tools required for this procedure include:

- 2 个十字头螺丝刀
#2 Phillips-head screwdriver
- 一字头螺丝刀
Flat-head screwdriver
- 橡皮或塑料榔头
Rubber or plastic mallet
- 剥线钳和刀具
Wire stripper and cutter
- 美工刀
Razor Knife
- 胶合板垫板
Plywood Shims
- 4 到 6 英尺水平尺
4 to 6 Foot Level
- 符合环保要求的硅密封胶或发泡填缝剂
Silicone Sealant or foaming agent
- 卷尺
Measuring Tape

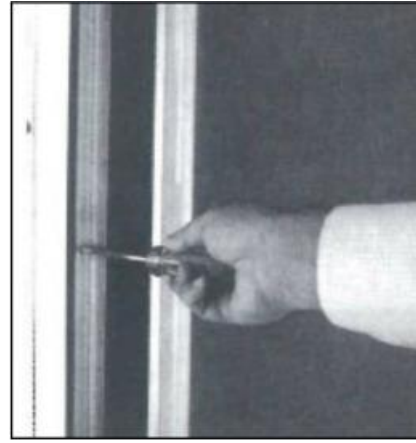
2. 框的安装

Frame Installation

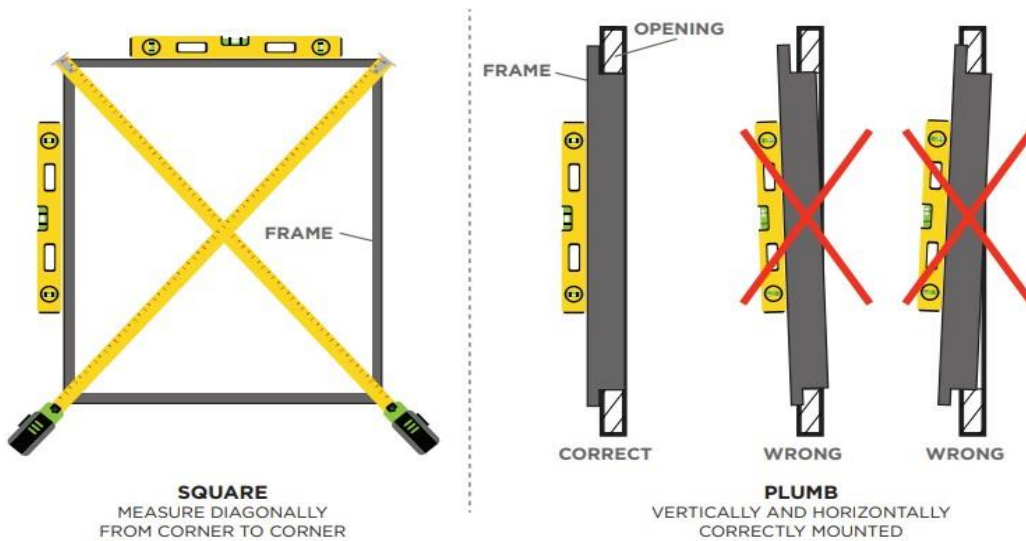
- a) 在安装框之前，请完整地阅读说明书。
Read Instructions Completely before installing frames;
- b) 开洞口必须符合图纸上或其他上规定的窗洞净尺寸；
Openings must conform to net openings specified in the drawing or others;
- c) 检查完成品框尺寸和洞口尺寸。
Check size of finished frame to net opening.
- d) 不要强力将框放置到过小的洞口中。
Do not force frame into tight opening.
- e) 检查窗洞是否垂直和方正，如下图所示。窗台必须从左到右和从前到后保持水平。
Check net opening for plumb and square, as shown below. Sill must be level left to right and front to back.



- a. 为了安装时的安全起见，立柱、顶头和窗槛都必须是木制的。
Jambs, header and sill should be wood for secure installation.
- b. 安东尼窗框需要至少 38.1mm 的窗槛。
Anthony Window frame needs a sill of at least 38.1mm;
- f) 放入框架至开口洞中。为了安全起见，在框架顶部安装不锈钢螺钉，先不要拧紧。
Set frame in case opening. For safety, partially install stainless screws into top of frame. **Do not tighten.**



- g) 检查框是否方正（如下图），如框安装图所示，必要时增加垫片。确保垫片的安装位置尽可能地靠近安装孔。当需要垫片时，应在顶部和底部或者（和）左部和右部，以保持洞口平齐。
 Check frame for square (see below), as shown in Frame Installation. Shim as necessary. Ensure that shims are placed as close to installation holes as possible. When shimming is necessary, shim top and bottom and/or left and right end of frame to maintain square in net opening.

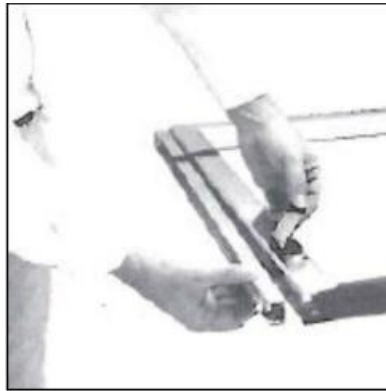


- h) 从加工间内部密封框架四边与窗洞之间的所有缝隙。
 From inside of processing room, **caulk all four (4) sides of frame**, between frame and case opening, as shown in *Frame Installation*.
- i) 从内部重新检查填缝情况，如有必要，重新填缝。
 From inside the case, re-check caulking and re-caulk if necessary.
- j) 请勿使用电动工具进行安装或拆卸。
 Do not use power tools for installation or removal.

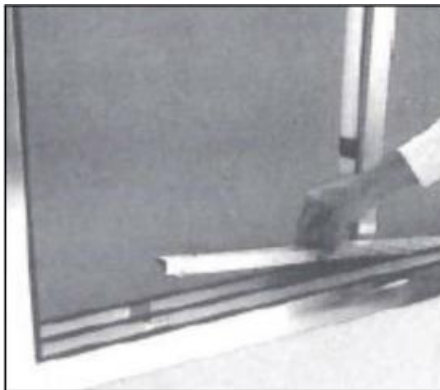
3. 窗的安装

Window Installation

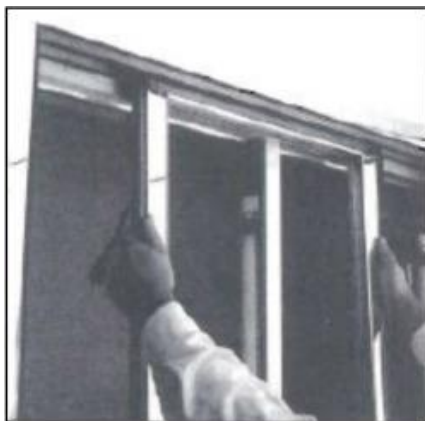
- a) 从窗底部拆下滚轮支架。
Remove roller cage from bottom of Window.



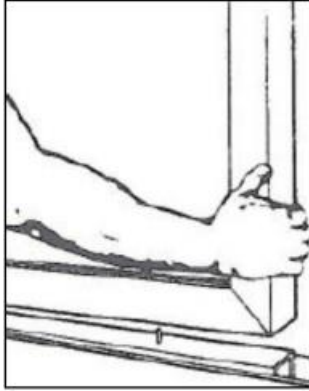
- b) 安装后面轨道（加工间一侧）的滚轮支架。
Install roller cage in rear track (the side of processing room) .



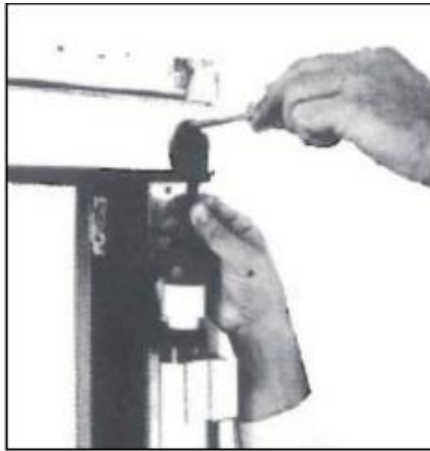
- c) 将窗提升到顶部后轨道 (加工间一侧)中。
Lift Window into top rear track (the side of processing room) .



- d) 将有预打孔的窗板底部的孔对准滚轮支架上的螺纹钉后，放置窗到准确的位置上。
Position pre-punched holes in the base of Window over threaded pins on the roller cage.
Drop Window into position.



- e) 注意滚子支架不能拧到窗的底部。
Note that Roller cage does not screw into bottom of Window.
- f) 如果窗或玻璃是加热的，请先把插头上的保护碗盖去除，然后把窗插头安装到背面顶部线槽的插座当中，并把插头固定螺丝拧上，但不要拧的过紧。重复以上步骤安装前窗 (顾客一侧)。
If Windows or glass are heated, please remove the protective cap on the plug and then install Window plug into socket on top back of raceway. And screw the bolt of the plug, but do not over tighten.
Repeat above instructions to install front Window (shopper side).



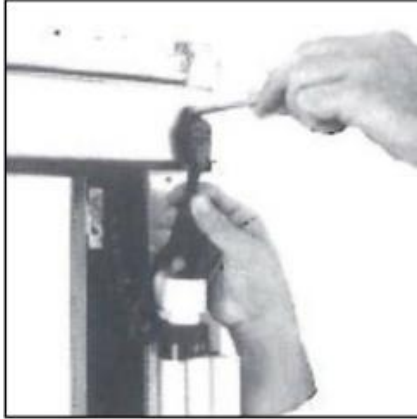
注意：加热线的螺旋线将始终位于窗的左右把手侧。
Note: Heater coil cords will always be located on left and right handle side of Windows.

- g) 请勿使用电动工具进行安装或拆卸。
Do not use power tools for installation or removal.

4. 窗的拆除

Window Removal

- a) 从线槽后面拆下加热线插头。
Remove heater plug from back of raceway.



- a) 拆下前窗。将前窗移动到框架中心位置。
Remove front Window. Move Window to center of frame.



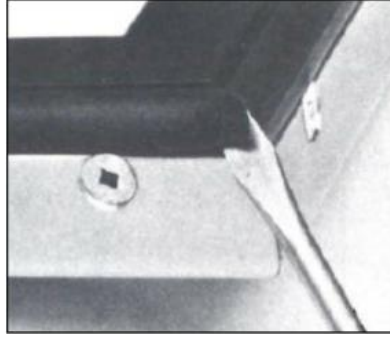
- b) 抓住窗的两侧然后往上提起到轨道顶部，确保底部滚轮支架从底部脱离。向外拉窗的底部，轻轻地让窗缓缓放下。
Grasp each side of Window and lift Window up into top track. Make sure bottom roller cage has released from bottom of Window. Pull bottom of Window outward and gently let Window down slowly.
- c) 对后窗重复上述说明。
Repeat instructions above for rear Window.

5. 窗塑料罩的更换

Window Plastic (Cover) Replacement

- a) 用平头螺丝刀插入到窗塑料条外部角落边缘的下方，轻轻地撬动。在塑料条的两端，用螺丝刀走完窗框架的长度和宽度方向。随着塑料条外沿的释放，将塑料推向玻璃方向进行移除。

Insert flat-head screwdriver under outside corner edge of Window plastic and gently pry up. At either end of plastic, run screwdriver the complete length and width of Window rail. With outside edge of plastic released, push plastic toward glass to remove.



- b) 若要更换，将塑料条的内边缘（尽可能地靠近玻璃）插入到窗框架内边缘。然后将塑料条的外边缘扣紧到窗框架的外侧边缘。

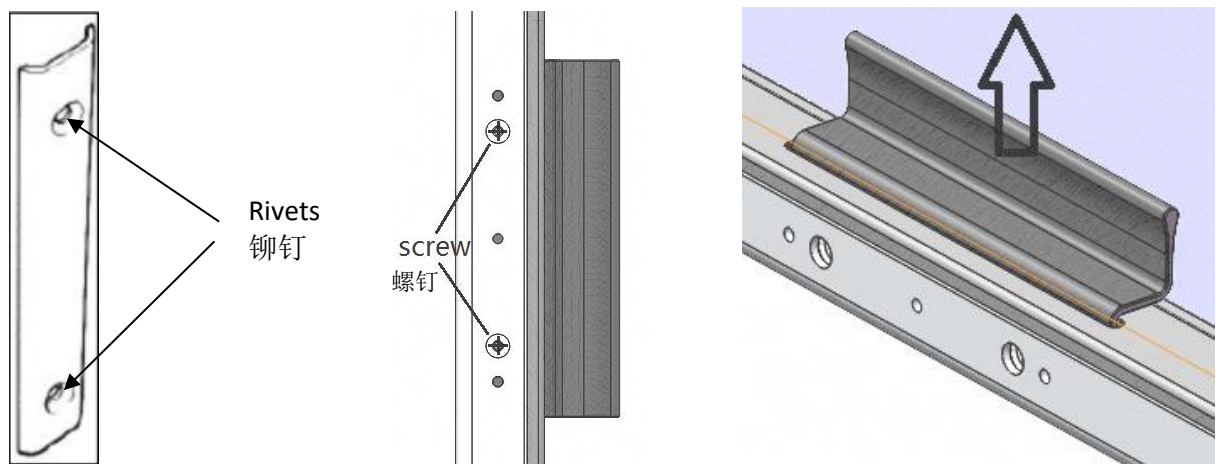
To replace, insert inside edge of plastic (closest to glass) into inside edge of Window rail. Then snap outside edge of plastic over outside edge of Window rail.

6. 窗把手的更换

Window Handle Replacement

- a) 用钻头拆掉窗侧面金属条的铆钉。

Remove the rivets of the metal strip on the side of the Window by using driller.



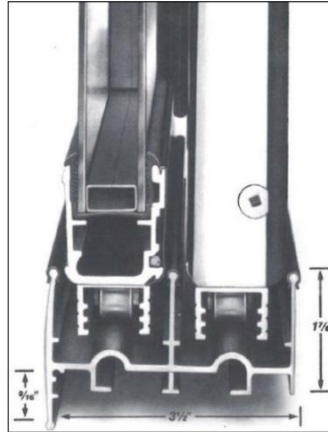
- b) 用十字螺丝刀插入到窗侧面的孔内，拆除螺钉，并向上拆除把手。
Insert a Phillips-head screwdriver into the hole on the side of the Window, remove the screw, and remove the handle upward.

- c) 安装把手的程序与上述步骤相反。

Reverse instructions to replace.

7. 150B 移窗截面结构和尺寸

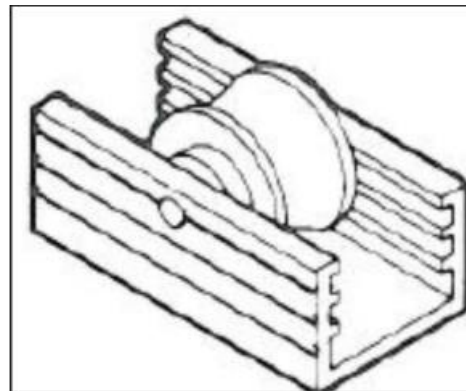
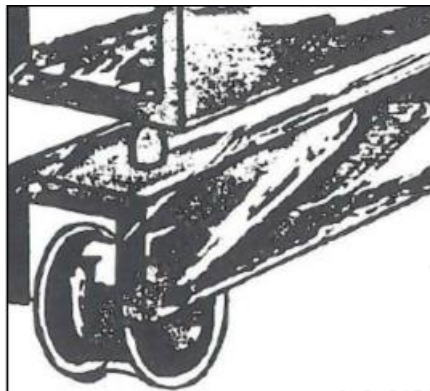
Model 150B Sliding window Cross-Section Construction & Dimensions



8. 滚轮支架的更换

Roller Cage Replacement

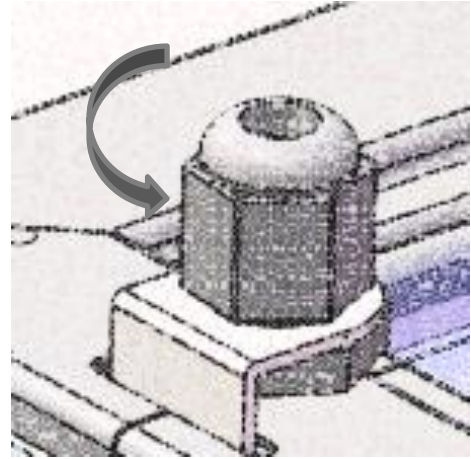
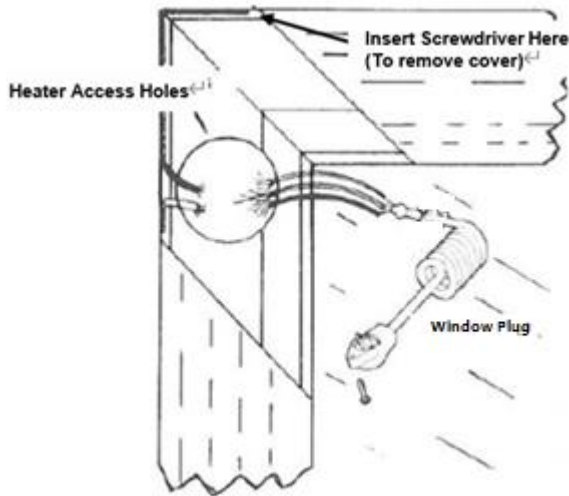
- a) 从框上拆除窗：
Remove Window from frame.
- b) 从窗底部拆下滚轮支架，从端部到端部进行测量。滚轮支架的宽度尺寸和窗宽度一样。
Remove bottom of roller cage from bottom of Window and measure from end to end. Roller cage is the same width as Window.



- c) 若要更换，与拆除说明相反操作。
Reverse instructions to replace.

9. 窗加热线更换或窗插头更换

Window Heater Replacement and/or Window Plug Replacement



- a) 拆下窗塑料和侧面金属条。
Remove Window plastic and side metal strips
- b) 拆下窗塑料后（见上述 5），用十字螺丝刀拧松窗把手侧顶部角落上的接地螺钉，逆时针拧下固定接头，拆除插头。（如上图）
After removing the Window plastic（see above point 5），Loosen the screw located on the top corner of the window handle side by using a Phillips-head screwdriver, then unscrew the fixed connector anticlockwise, and remove the plug.（see above figure）
- c) 切断黑、绿和黄色地线，移除插头。如果加热丝有缺陷，只需将加热丝拉出，并远离窗内的加热丝槽。
Cut Black, Green and Yellow (ground) lead wires to remove plug. If heater is defective, simply pull heater out and away from the back track in the window.
- d) 如果窗是加热玻璃，切断玻璃的黑、白引线。
If Window is with heated glass, cut Black and White lead wires to glass.
- e) 若需更换插头，请反向操作。
Reverse instructions to replace plug.
- f) 更换加热丝时，在窗后边缘外侧轨道上铺设加热丝。连接插头到加热丝的检修孔内，重新安装窗塑料。
To replace heater, lay heater wire in track around outside back edge of Window rail. Connect plug to heater access hole and re-install Window plastic.
- g) 接线说明：黑色对黑色，白色对绿色，黄色接地。
Wiring instructions: black to black, white to green, yellow to ground.
- h) 如果玻璃是加热的，重新将插头上的黑、绿引出线连接上玻璃的黑、白引出线。
If the glass is heated, reconnect the black and green leads on the plug to the black and white leads on the glass.

10. 框加热线更换

Frame heater replacement

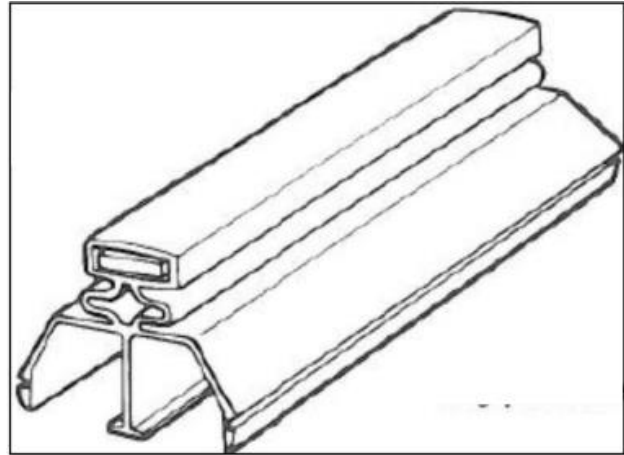
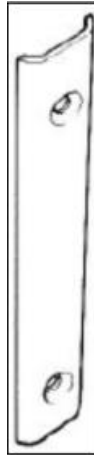
- a) 从开洞处拆下框架。
Remove frame from opening.
- b) 将平头螺丝刀插入框架塑料边缘下进行拆除。
Insert a flat-head screwdriver under edge of frame plastic to remove.
- c) 框架加热丝位于框架周围的轨道上。若要更换加热丝，反向操作。
Frame heater lies in track around perimeter of frame. Reverse instructions to replace.

11. 框密封条更换

Frame Gasket Replacement

- a) 密封条位于框架两侧的轨道内。窗侧面的金属条用来吸附框的磁性密封条。拆卸时，压紧密封条的侧面，将密封条拉出框架外面。
The gasket is located in the frame. Window has magnetic metal strip to attract to frame gasket. To remove, compress the sides of the gasket and pull the gasket out of the frame.

The metal strip
on the side of
the window
窗侧面金属条

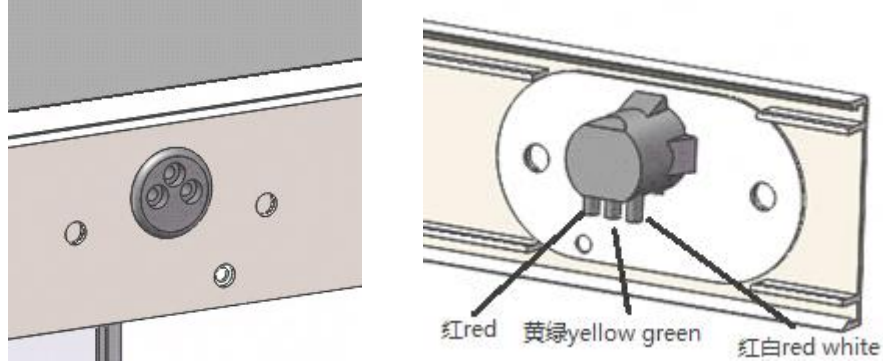


- b) 更换密封条时，压紧密封条的两侧，卡入框两侧的槽中。
To replace the sealing strip, compress both sides of the gasket and snap it into the slots on both sides of the frame.
- c) 金属条在窗的侧面。
The metal strip is on the side of the Window.
- d) 更换金属条，需钻出铆钉并拆下。
To replace the metal strip, drill out the rivets and remove them.
- e) 更换窗上的橡胶，需钻出铆钉并拆下，然后将橡胶从塑料槽中抽出，然后插入新的橡胶条。
To replace the rubber on the Window, drill out the rivets and remove them, then slide the

rubber out from the plastic slots, and then insert a new rubber strip.

12. 框架插座的更换

Frame Female Plug Replacement



- 打开位于框架顶部背面的线槽。
Open the cable tray at the top and back of the frame.
- 断开引线：红色、红白和黄绿。
Cut leads: red, red white, and yellow green.
- 重新将插座引出线红对黑，红白对白，黄绿对地进行连接。
Reconnect the outlet wire of the socket with red to black, red white to white and yellow to green to the ground.

13. 问题解决

Troubleshooting

- 电气问题：低电压（规定 220 伏电压系统时小于 198 伏）将严重导致低功率。低功率将降低加热器的效率。

Electrical: Low voltage supply (less than 198V on 220V systems) results in significantly lower wattage. Lower wattage will decrease the efficiency of heaters.

A. 玻璃凝露

Glass Condensation:

1. 没有电，检查：

No Power? Check:

a. 电源

Power supply

b. 室内的相对湿度

Relative humidity in room area

- c. 冷柜/加工间的温度
Case/processing room temperature
 - d. 错误接线
Incorrect wiring
2. 低电压？检查主电源的电压。
Low Voltage? Check voltage at main power source.

B. 窗边框和外框的凝露

Window and Frame Rail Condensation:

1. 没有电，检查：
No Power? Check:
- a. 电源 Power supply
 - b. 室内相对湿度 Relative humidity in room area
 - c. 冷柜/加工间温度 Case/processing room temperature
 - d. 错误接线 Incorrect wiring
2. 低电压？检查主电源的电压。
Low Voltage? Check voltage at main power source.

b) 机械问题:

Mechanical:

A. 窗没有密封？检查：

Window Not Sealing? Check:

- 1. 磁性密封条（如有必要，请更换）
Magnetic sealing strip (Replace if necessary)
- 2. 框塑料条损坏
Defective frame plastic
- 3. 框或窗没有方正
Frame or Window out of square

B. 窗将无法关闭

Window Will Not Close?

- 1. 查看上述说明 A, 1 到 3.
See above instructions A, 1 through 3

C. 窗锯齿状？

Window Saw Toothed?

- 1. 窗或框没有完全方正？（方正到最接近门洞开口尺寸的 2mm 以内）
Window or frame out of square? (Square to the nearest 2mm of net opening)
- 2. 窗台没有水平？

Sill not level?

3. 框四周没有适当地垫实?

Frame not shimmed properly?

14. 安全注意事项

Safety Precautions

- a) 开始工作前，总是关闭冷库系统、窗和框地电源。
Always turn off power to case, Windows and frames before starting work.
- b) 电工必须具有认证证书。
Always use a qualified electrician for electrical work
- c) 工作时必须总是戴防护镜。
Always wear safety glasses when working on equipment.

15. 小贴士

Tips

- a) 窗和框的加热丝不要进行拼接。如需更换话，需更换完整地加热丝。
Never splice Window or frame heater wire. Complete replacement recommended
- b) 安装密封条和塑料条时，使用一些液体肥皂液。
When installing gasket and plastics, use a liquid soap.
- c) 窗和框保持干净。
Keep Windows and frames clean.
- d) 用于垫块和塑料类零件时，使用符合环保要求的硅胶。
For binding gasket or plastic parts, use environment-conformity silicone.
- e) 日常的维护对于窗和框的寿命是至关重要的。
Preventive maintenance is the key to Window and frame longevity.